



PROTECT

combined with active carbon



715632

FH423



CA

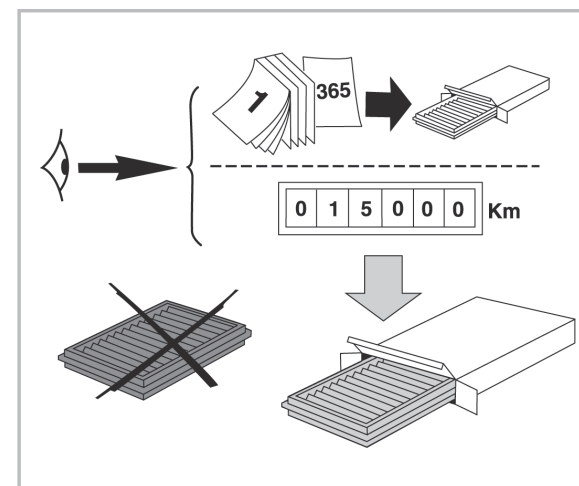
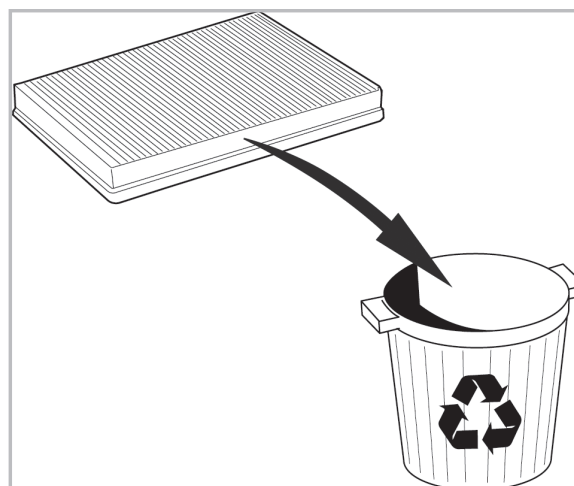
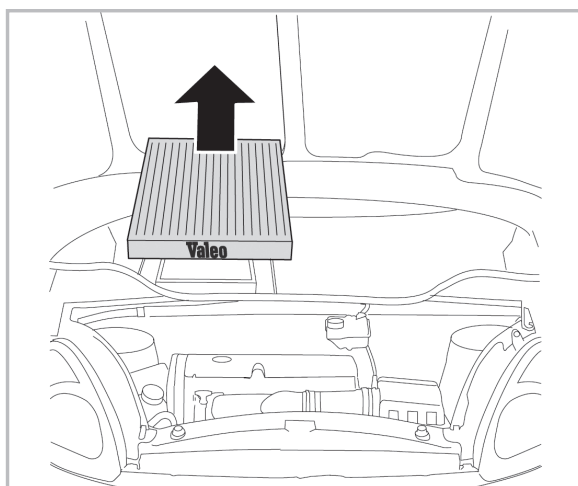
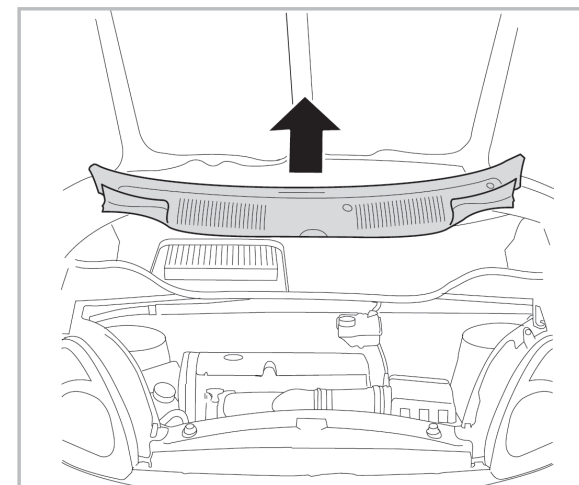
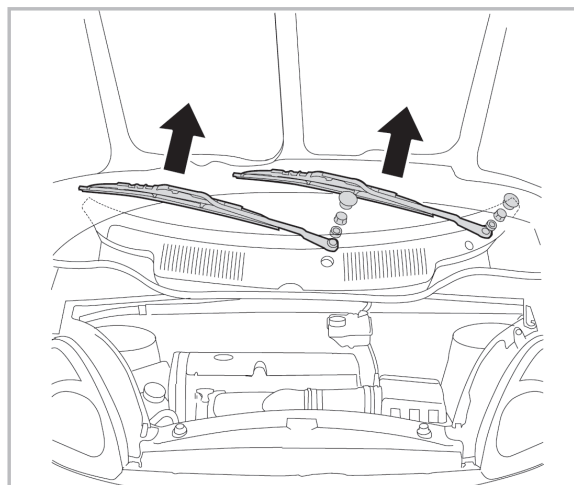
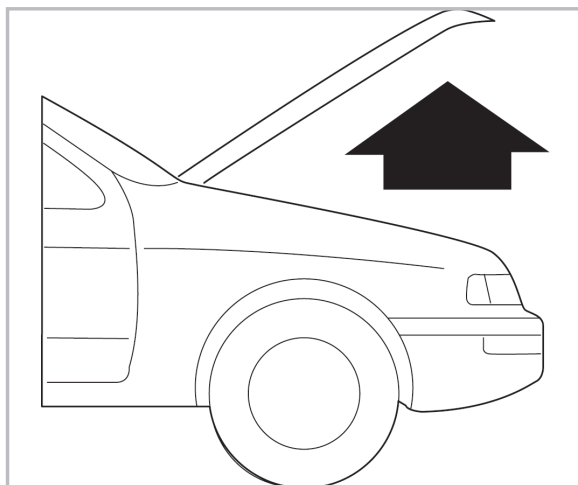
WANT TO KNOW MORE?



www.valeo-techassist.com

FOR
OPEL

CALIBRA A/C+/- (06/89 > 07/97) / COMBO A/C- (03/93 > 09/01) / CORSA B A/C- (03/93 > 08/00) / TIGRA A/C- (10/94 > 01/01)



Valeo Service - Société par Actions simplifiée - Capital de 12 900 000€ - 70, rue Playel, 93285 Saint-Denis Cedex - France - B 306 486 408 RCS Bobigny